



NDiS B562



NDiS B562 with optional dock (NDiS B562-DIF-D)



NDiS B562 with optional dock (NDiS B562-DIF-F)

Main Features

- Intel® Core™ processor (Series 2)/ 14/13/12th Gen Intel® Core™ i processor
- Support Intel® AMT technology
- 2 x DDR5 SO-DIMM, up to 96GB
- 1 x HDMI® 2.0 output, up to 4096 x 2160@60Hz
- 3 x Intel® LAN port
- 3 x USB 3.2 Gen 1x1, 2 x USB 2.0, 2 x DP 1.2
- Support PCIe 4.0 1x16/PCIe 4.0 2x8 expansion card/2 x 2.5" SSD swap bay
- 1 x M.2 Key B 3052/2242 for an optional 5G/LTE module
- 1 x M.2 Key E 2230 for an optional Wi-Fi module
- 1 x M.2 Key M 2280 for an optional SSD
- TPM 2.0 for security
- Support DC +12V~24V power input

Product Overview

The NDiS B562 is compatible with Intel® Core™ processor (Series 2) and 14/13/12th Gen Intel® Core™ i processor. When connected to the DockInfinity, it creates two half-height card spaces that can accommodate both graphics cards and other PCIe expansion cards to enhance functionality of system. Furthermore, the unit supports RAID 0 and RAID 1 configurations, which can be achieved by installing two 2.5-inch SATA SSDs.

The device features a wide-range 12V to 24V power input, ensuring stable operation even in environments with unstable power supply. This versatility makes it ideal for a variety of applications, including the self-service industry and smart parking systems. With three USB 3.2 ports and two COM ports (supporting RS-232/422/485), the NDiS B562 connects effortlessly to peripherals like AI cameras and sensors. For multi-display setups, the external I/O includes one HDMI® 2.0 port and two DisplayPort 1.2 ports, with support for additional displays via an external graphics card. Zero waste upgrade, no parts will be used up or thrown away during the expansion kit installation.

Specifications

CPU Support

- Intel® Core™ processor (Series 2)
 - Intel® Core™ 7 processor 251TE, TDP 45W
 - Intel® Core™ 5 processor 221TE, TDP 45W
 - Intel® Core™ 5 processor 211TE, TDP 45W
 - Intel® Core™ 3 processor 201TE, TDP 45W
- 14th Gen Intel® Core™ i processor
 - Intel® Core™ i9 processor 14900T, PBP 35W
 - Intel® Core™ i7 processor 14700T, PBP 35W
 - Intel® Core™ i5 processor 14500T, PBP 35W
 - Intel® Core™ i3 processor 14100T, PBP 35W

Chipset

- Intel® PCH Q670E/H610E

Main Memory

- 2 x DDR5 5200 SO-DIMM, non-ECC, unbuffered, up to 96GB

Graphics & Display

- Intel® UHD Graphics architecture
- 1 x HDMI® 2.0, up to 4096x2160@60Hz
- 2 x DP 1.2, up to 4096x2160@60Hz

Storage

- 1 x M.2 Key M 2280 (PCIe 3.0 x4)

Expansion Slot

- 1 x M.2 Key E 2230 for an optional Wi-Fi module (PCIe 3.0 x1, USB 2.0)
- 1 x M.2 Key B 2242/3042/3052 for an optional 5G/LTE module (PCIe 3.0 x1, USB 3.2)
- 1 x SIM slot

I/O Interface Front

- 1 x Power button with LED
- 1 x HDD LED
- 2 x USB 2.0 onboard
- 1 x Line out
- 3 x Antenna hole

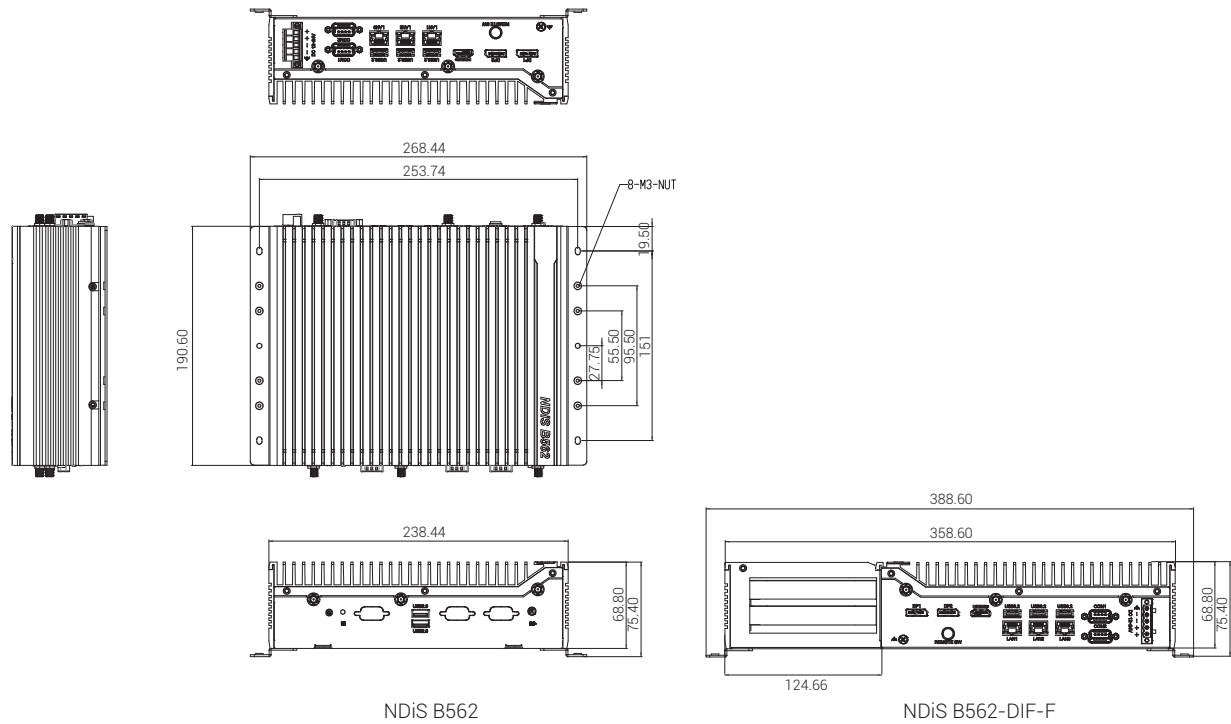
I/O Interface Rear

- 3 x USB 3.2 Gen 1x1, Type-A
- 1 x 1GbE RJ45 port, Intel® I219 LM (LAN 1)
- 2 x 1GbE RJ45 port, Intel® I226V
- 1 x HDMI® 2.0 output, up to 4096x2160@60Hz
- 2 x DP 1.2 output, up to 4096x2160@60Hz
- 2 x COM port, supports RS-232/422/485
- 1 x 5-pin thermal block for 180W DC input
- 3 x Antenna hole

I/O Interface Internal

- 2 x 6-pin header for four USB 2.0 ports (PCH Q670E)
- 1 x 6-pin header for two USB 2.0 ports (PCH H610E)
- 4 x COM port (COM3~COM6, RS-232, reserved)

Dimension Drawing



- 2 x SATA 3.0 connector, 2 x SATA 3.0 power connector
- 8 x GPIO
 - 4 x DI, 4 x DO

Environment

- Operating temperature: -20°C~60°C
- Operating temperature w/ graphics card: 0°C~45°C
- Storage temperature: -20°C~80°C
- Humidity: 10%~95% (non-condensing)

System Capabilities

- TPM 2.0

Mechanical

- Dimensions:
 - NDiS B562: 268mm (W) x 190.6mm (D) x 75.4mm (H) (w/ bracket)
 - NDiS B562 w/ DockInfinity: 388.3mm (W) x 190.6mm (D) x 75.4mm (H) (w/ bracket)
- Weight:
 - NDiS B562: 3kg
 - NDiS B562 w/ DockInfinity-R8/F-R16: 3.73kg
 - NDiS B562 w/ DockInfinity-D: 4.05kg

Package Information

- Dimensions: 476mm (W) x 355mm (D) x 206mm (H)
- Gross weight (1 unit per carton):
 - NDiS B562: 4.01kg
 - NDiS B562 w/ DockInfinity-R8/F-R16: 4.79kg
 - NDiS B562 w/ DockInfinity-D: 5.11kg

Power Supply

- Nominal voltage: DC +12V~24V, 180W

Certifications

- CE approval (EN 50035 + EN 50032)
- FCC Class A (Part 15B)
- LVD (EN 62368-1)

Operating System

- Windows 11
- Windows 10, 64bit
- Linux

Ordering Information

• NDiS B562-H (P/N: 10W00B56200X0)

Duro Edge computer, Intel® Core™ processor (Series 2)/Intel® Core™ i processor, Intel® PCH H610E, 1 x HDMI® 2.0, 2 x DP 1.2

• NDiS B562-Q (P/N: 10W00B56203X0)

Duro Edge computer, Intel® Core™ processor (Series 2)/Intel® Core™ i processor, Intel® PCH Q670E, 1 x HDMI® 2.0, 2 x DP 1.2

• NDiS B562-DIF-Q-R8 (P/N: 10W00B56201X0)

Duro Edge computer, Intel® Core™ processor (Series 2)/Intel® Core™ i processor, Intel® PCH Q670E, 1 x HDMI® 2.0, 2 x DP 1.2, w/ dual PCIe x8 expansion kit (DockInfinity-R8)

• NDiS B562-DIF-F (P/N: 10W00B56204X0)

Duro Edge computer, Intel® Core™ processor (Series 2)/Intel® Core™ i processor, Intel® PCH H610E, 1 x HDMI® 2.0, 2 x DP 1.2, w/ one PCIe x16 expansion kit, fan and ventilation holes (DockInfinity-F-R16)

• NDiS B562-DIF-D (P/N: 10W00B56205X0)

Duro Edge computer, Intel® Core™ processor (Series 2)/Intel® Core™ i processor, Intel® PCH H610E, 1 x HDMI® 2.0, 2 x DP 1.2, w/ dual SSD bay kit (DockInfinity-D)

• DockInfinity-R8 (P/N: 10W00DOCK02X0)

Dual PCIe x8 expansion kit for Duro Edge computer

• DockInfinity-F-R16 (P/N: 10W00DOCK00X0)

One PCIe x16 expansion kit with dual-slot space for Duro Edge computer, w/ fan and ventilation holes

• DockInfinity-D (P/N: 10W00DOCK03X0)

Dual SSD bay kit for Duro Edge computer